



CE



**FLowsERVE**<sup>®</sup>

Polyvalve™

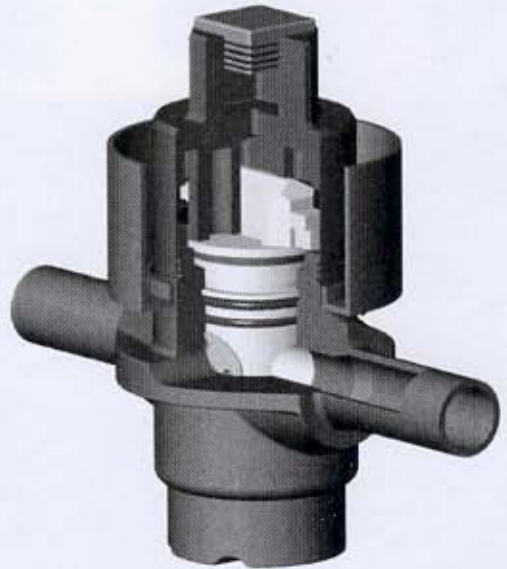
Poly-Gas™

Polyvalve for gas applications

## Polyethylene Ball & Plug Valves

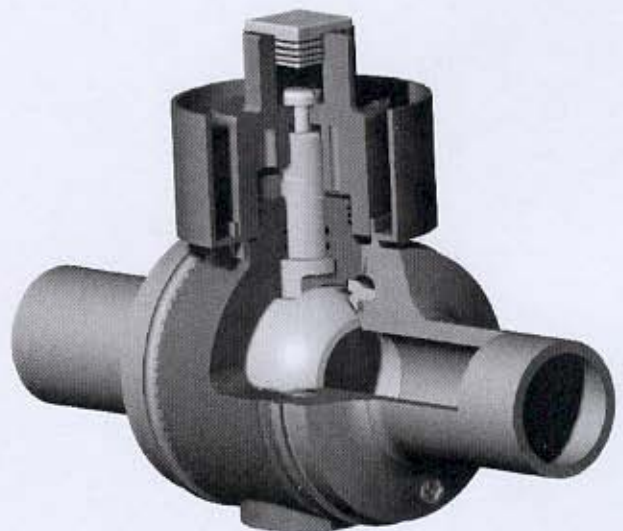
### Poly-Gas™ Plug Valve for Natural Gas

- Dimensions 20 to 40 mm.
- No metal parts.
- One-piece body shell.
- Pressure energised seals in the plug design feature 2 specially moulded Buna N inserts which provide tight shut-off in both directions.
- Stem and plug are combined into a single rugged part made of moulded high strength plastic.



### Poly-Gas™ Ball Valve for Natural Gas

- Dimensions 50 to 315mm.
- No metal parts.
- Butt-fused body shell.
- Bubble-tight shut-off from dual Buna N seats.
- Multiple elastomeric stem seals.



**MORE THAN 25 YEARS OF EXPERIENCE**

## Poly-Gas™ - Valve Availability

Polyvalves™ have been installed since 1976 and are in use throughout the world.

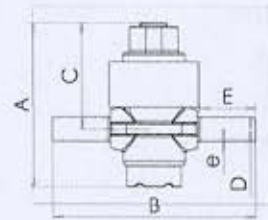
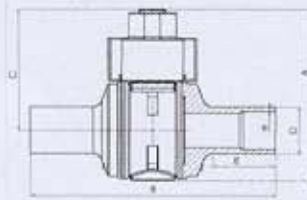
### Poly-Gas™ Valve Availability Chart

Valve Size (mm)	Body Pieces	Break Torque at 23°C (N.m)	Run Torque at 23°C (N.m)	Pressure Drop Equiv. Meter of Pipe
20	1	15	8	0,61
25	1			0,97
32	1			1,16
40	1			2,92
50	3	20	10	1,16
63	3			2,92
75	3			3,51
90	3			4,29
110	3	35	15	5,41
125	3			6,08
160	3			7,39
180	3			9,12
200	3	50	35	10,64
225	3			12,25
315	3	90	70	3,22

The connection to the pipe can be made through :

- Butt Fusion.
- Electro-fusion.
- Mechanical connection.

### Dimensions



Size (mm)	Overall height (A) (mm)	Overall length (B) (mm)	Dimension Axis-Top (C) (mm)	Tube length (E) (mm)	Thickness SDR 11 (e) (mm)	Thickness SDR 17,6 (e) (mm)	Weight (kg)
20 - 20,3	217	250	140	63	3 - 3,4	2,3 - 2,7	0,75
25 - 25,3		263		73			
32 - 32,3					326		
40 - 40,4		228		348			
50 - 50,4	326		92	5,8 - 6,5			
63 - 63,4				277	397	192	6,8 - 7,6
75 - 75,5	540		240				115
90 - 90,6		228		877	320	240	
110 - 110,7	277		397				192
125 - 125,8		362		540	240	115	
160 - 161	472,4		877				320
180 - 181,2		787		2127	528	762	
200 - 201,3	28,6 - 31,6		17,9 - 19,8				138
225 - 226,4		28,6 - 31,6		17,9 - 19,8	138	28,6 - 31,6	
315 - 316,9	28,6 - 31,6		17,9 - 19,8			138	

Note : Indicated dimensions refer to standard Poly-Gas valves. Contact your FLOWERVE POLYVALVES S.A.S. representative for other dimensions.

## Composition of the components

Item	Plug Design	Ball Design
Body	Polyethylene (PE80) or (PE100)	Polyethylene (PE80) or (PE100)
Plug/ Ball	Acetal	Polypropylene
Seat Retainer	N/A	Polypropylene
Seat	BUNA N	BUNA N
Stem	N/A	Acetal
Seals	BUNA N	BUNA N
Wrench Adapter	Polypropylene 30% fibreglass	Polypropylene 30% fibreglass
Adapter Screw	Phosphated steel	Polyamide 6

## Standards and Codes

- FLOWSERVE POLYVALVES S.A.S. Poly-Gas™ complies with the following regulations :

EN 1555-4    DVGW    ISO 10933  
 NFT 54-067    ANSI B16.40

- FLOWSERVE POLYVALVES S.A.S. is qualified to ISO 9002.

- In addition, Poly-Gas™ valves comply with most technical specifications worldwide.

## Applications

For use in :

- Natural Gas Distribution.
- Natural Gas Gathering.
- Landfill Gas (methane).
- Hydrocarbon fuel gases.
- Hydrogen.
- Air.
- Other inert gases (helium, argon, neon).



## Maximum Allowable Service Pressures (bar)

Polyethylene Resin	SDR9.3	SDR11	SDR17.6
PE80	9.6	8	4.8
PE100	12	10	6

### Flow Control Division Polyvalves S.A.S.

30, rue Jean Jaurès - 42240 Unieux - France  
 Tél. : 33 (0) 477 401 877 Fax : 33 (0) 477 563 095  
 Customer Service : 33 (0) 477 401 865  
 International : 33 (0) 477 401 870